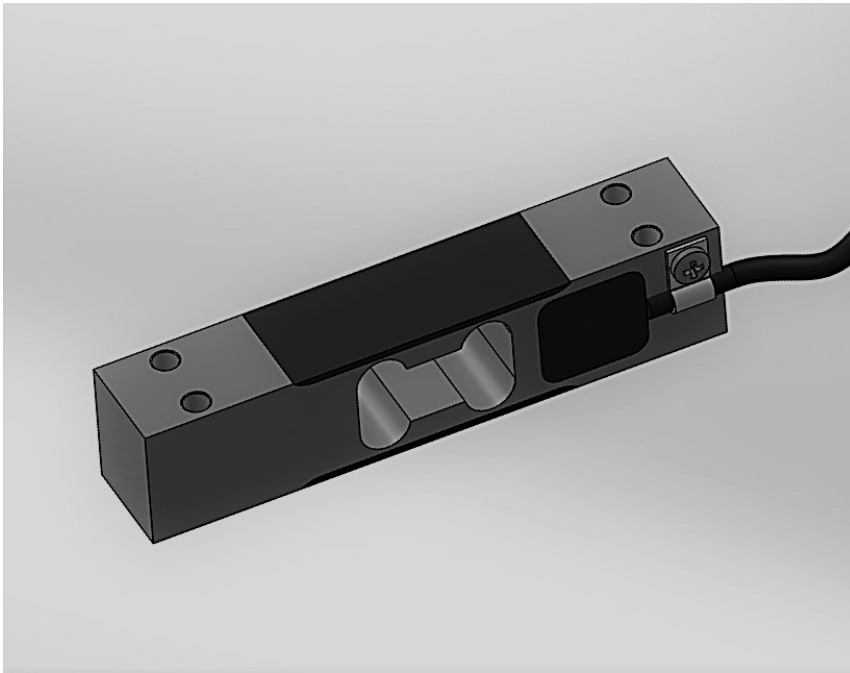


# PT41

## Stainless Steel Single Point Load Cell

**TRUE-TEC**

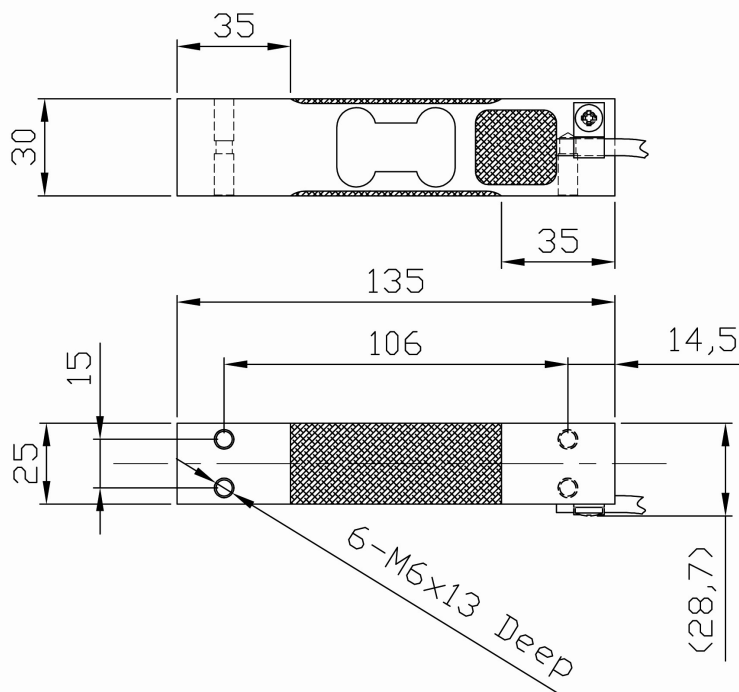
Quality by Advanced Technology



### FEATURES

- Capacities 7kg-100kg
- 17-4PH Stainless Steel Construction
- IP66 protection
- Vishay 1130 compatible

### OUTLINE DIMENSIONS



### MOUNTING

M6-8.8 screws with socket head, tightening torque 13Nm

## SPECIFICATION

| PARAMETER                    | UNIT      | VALUE  |        |        |
|------------------------------|-----------|--|--------|--------|
|                              |           | N  | P      | R      |
| True-Tec Grade               |           |  |        |        |
| Rated capacity ( $E_{max}$ ) | kg        | 7, 10, 15, 20, 30, 50, 60, 75, 100                                   |        |        |
| Sensitivity                  | mV/V      | 2.0000   |        |        |
| Sensitivity tolerance        | ± mV/V    | 0.2000   |        |        |
| Zero balance                 | ± mV/V    | 0.2000   |        |        |
| Creep over 30min.            | ± %       | 0.050  | 0.030  | 0.017  |
| Temperature effect on zero   | ± %/ °C   | 0.0250   | 0.0100 | 0.0023 |
| Temperature effect on output | ± %/ °C   | 0.0030   | 0.0025 | 0.0012 |
| Eccentric Loading Error      | ± %/cm    | 0.0100   | 0.0074 | 0.0049 |
| Nominal temperature range    | °C        | -10 to +40   |        |        |
| Service temperature range    | °C        | -20 to +70   |        |        |
| Limit load                   | % of R.C. | 150  |        |        |
| Break load                   | % of R.C. | 300  |        |        |
| Nominal excitation           | V         | 10   |        |        |
| Max. excitation              | V         | 15   |        |        |
| Input impedance              | Ohm       | 390 ± 15   |        |        |
| Output impedance             | Ohm       | 350 ± 3  |        |        |
| Insulation resistance        | MOhm      | >2000  |        |        |
| Compensation circuit type    |           | Balanced Bridge  |        |        |
| Cable length                 | m         | 1.5  |        |        |
| Cable type                   |           | 6x26 AWG, Black PVC Jacket   |        |        |
| Color code                   |           | +exc -green, +sig-red, -exc-black, -sig- white, +sen-blue, -sen-gray |        |        |
| Construction                 |           | 17-4PH Stainless Steel   |        |        |
| Protection class to IEC529   |           | IP 66  |        |        |

## APPLICATIONS

Model PT41 is a low profile stainless steel single point load cells designed for bench and platform scales, packaging and process weighing applications working in harsh environment.

The two additional sense wires feed back the voltage reaching the load cell. Complete compensation of changes in lead resistance due to temperature change and/or cable extension, is achieved by feeding this voltage into the appropriate electronics.

Due to True-Tec's Policy of continuous development, these specifications are subject to change without notice.

All details describe our products in general form only. They are not to be understand as express warranty and do not constitute any liability whatsoever.