

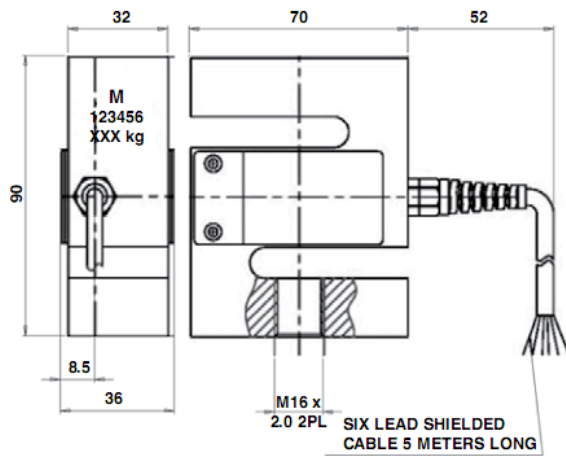
TS15



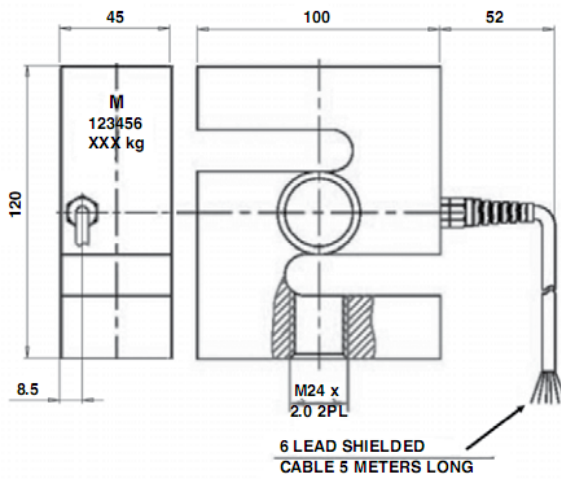
FEATURES

- Capacity 1500-6000kg
- Alloy steel Construction
- IP67protection
- Vishay 619 Compatible

OUTLINE DIMENSIONS



1500, 2000 kg cell outline



3000, 5000, 6000 kg cell outline

SPECIFICATION

PARAMETER	UNIT	VALUE	
True-Tec Grade		N	P
Maximum Number of Intervals		2000	3000
Rated capacity (E_{max})	kg	1500,2000,3000,5000,6000	
Sensitivity	mV/V	2.00	
Sensitivity tolerance	± mV/V	0.002	
Zero balance	± mV/V	0.2	
Nominal temperature range	°C	-10 to +40	
Service temperature range	°C	-30 to +70	
Limit load	% of R.C.	150	
Break load	% of R.C.	300	
Nominal excitation	V	10	
Max. excitation	V	15	
Input impedance	Ohm	385 ±15	
Output impedance	Ohm	350 ± 3	
Insulation resistance	MOhm	>2000	
Compensation circuit type		Balanced Bridge	
Cable length	Meter	5.0	
Cable type		6-wire,PVC,single floating screen	
Color code		+exc -green, +sig-red, -exc-black, -sig- white ,+sen-blue,-sen-gray	
Construction		Alloy steel	
Protection class to IEC529		IP 67	

APPLICATIONS

Model TS15 is a low cost tension compression load cell designed for industrial applications. Typical applications include weighing , process weighing, force measurement and industrial process weighing and so on.

The TS15 provides scale manufacturers with a high accuracy low cost sensor to meet today's needs.

Due to True-Tec's Policy of continuous development, these specifications are subject to change without notice.
All details describe our products in general form only. They are not to be understand as express warranty and do not constitute any liability whatsoever.

Beijing True-Tec Co., Ltd.

4/F, Bldg. 2, No. 8, Hong Da Bei Lu,

BDA, Beijing 100176, China

Tel.: +86-10-67869219 Fax: +86-10-67862581

E-mail: info@true-tec.com www.true-tec.com